

DRG No. BE8601

**GENERAL ARRANGEMENT OF
500kVA 11000/415V
BOWERS ENERGY SAVING
TRANSFORMER (B.E.S.T.)**

Drawn By: T.B. Checked By: J.R. Approved By: J.C.

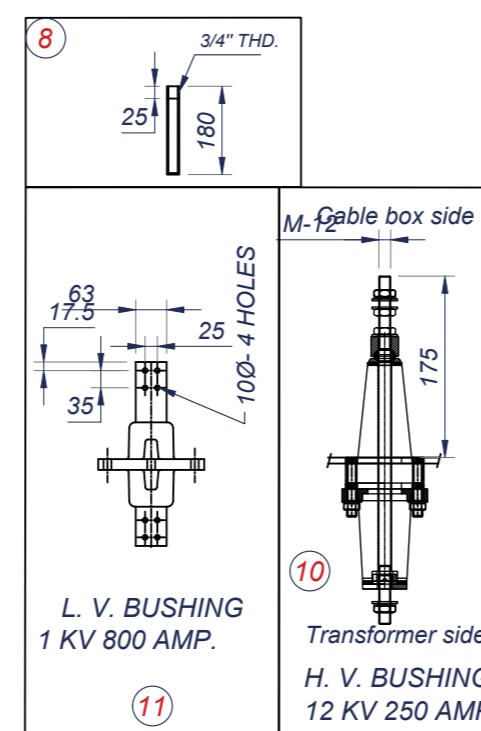
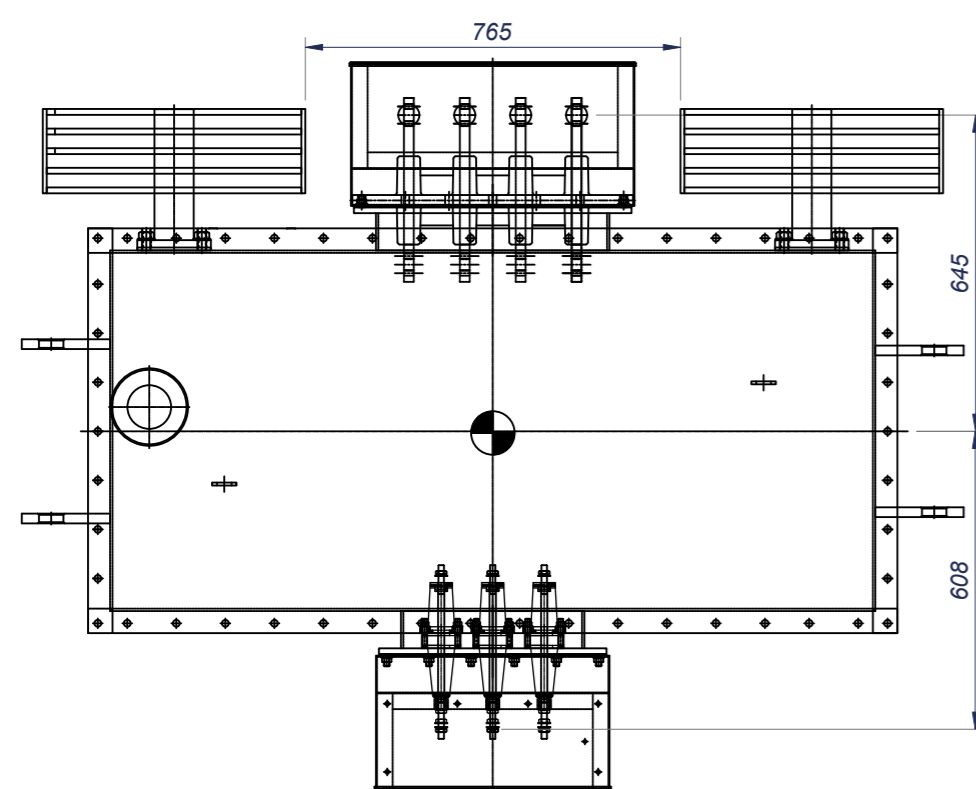
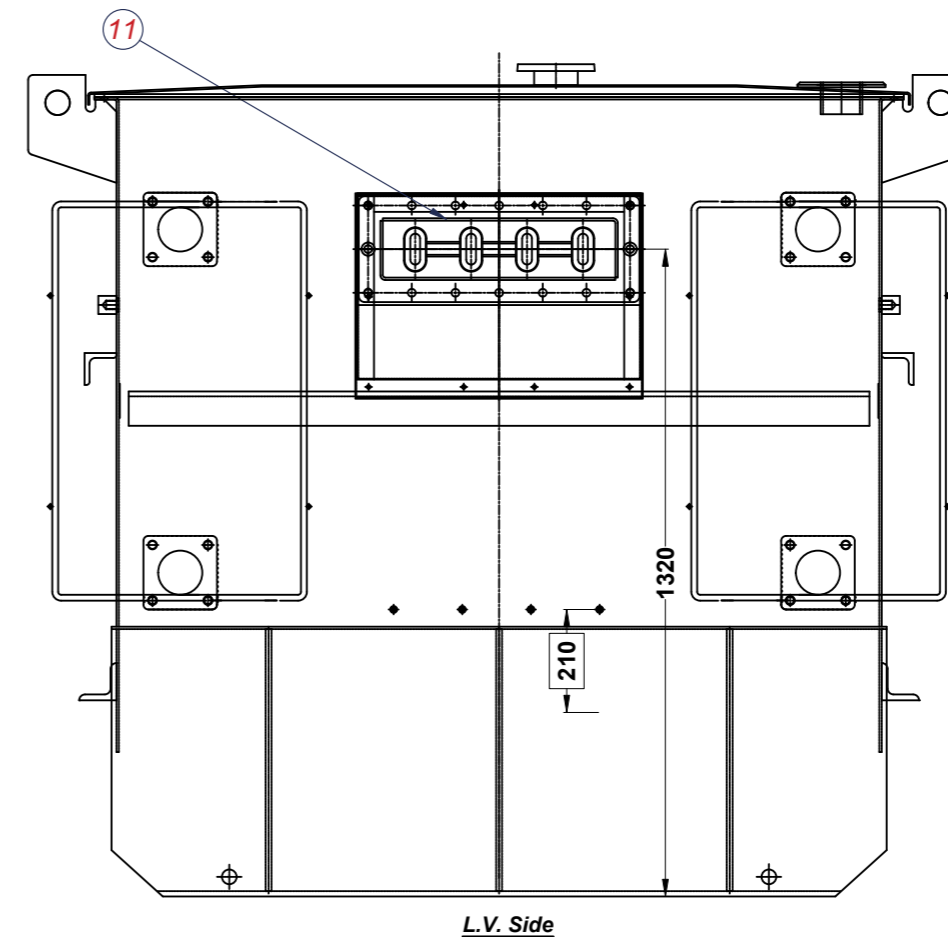
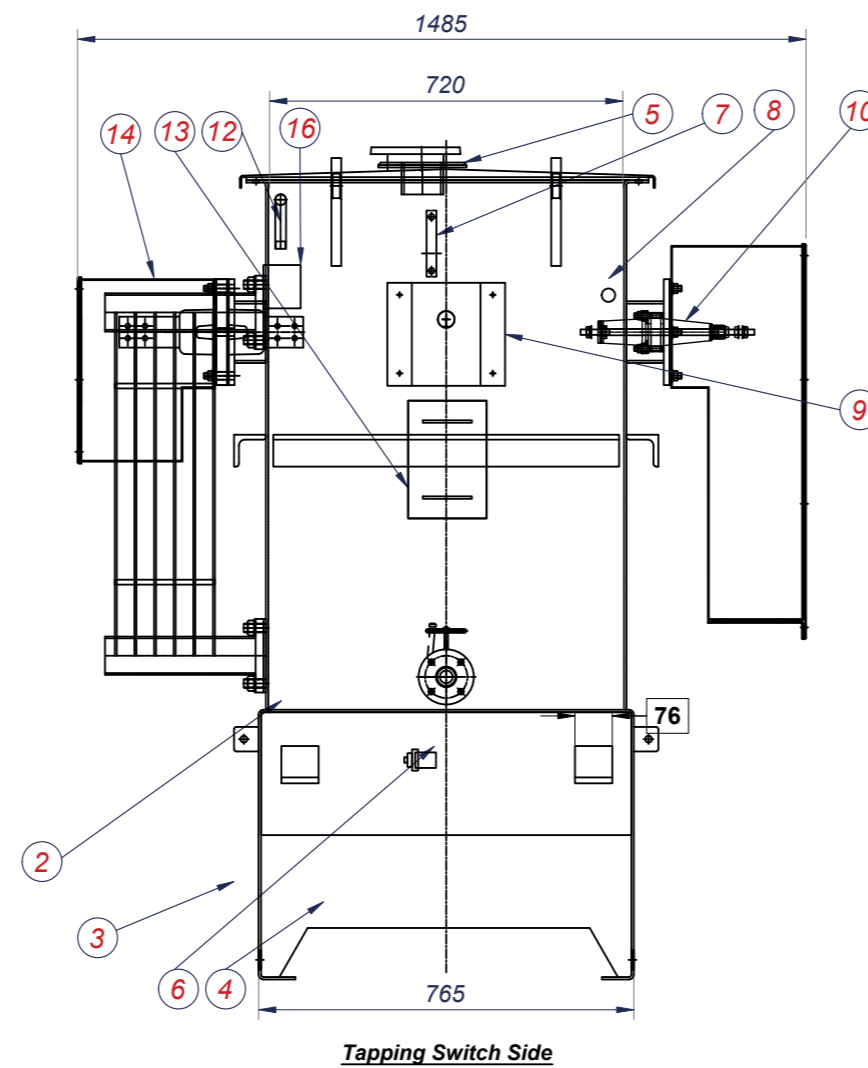
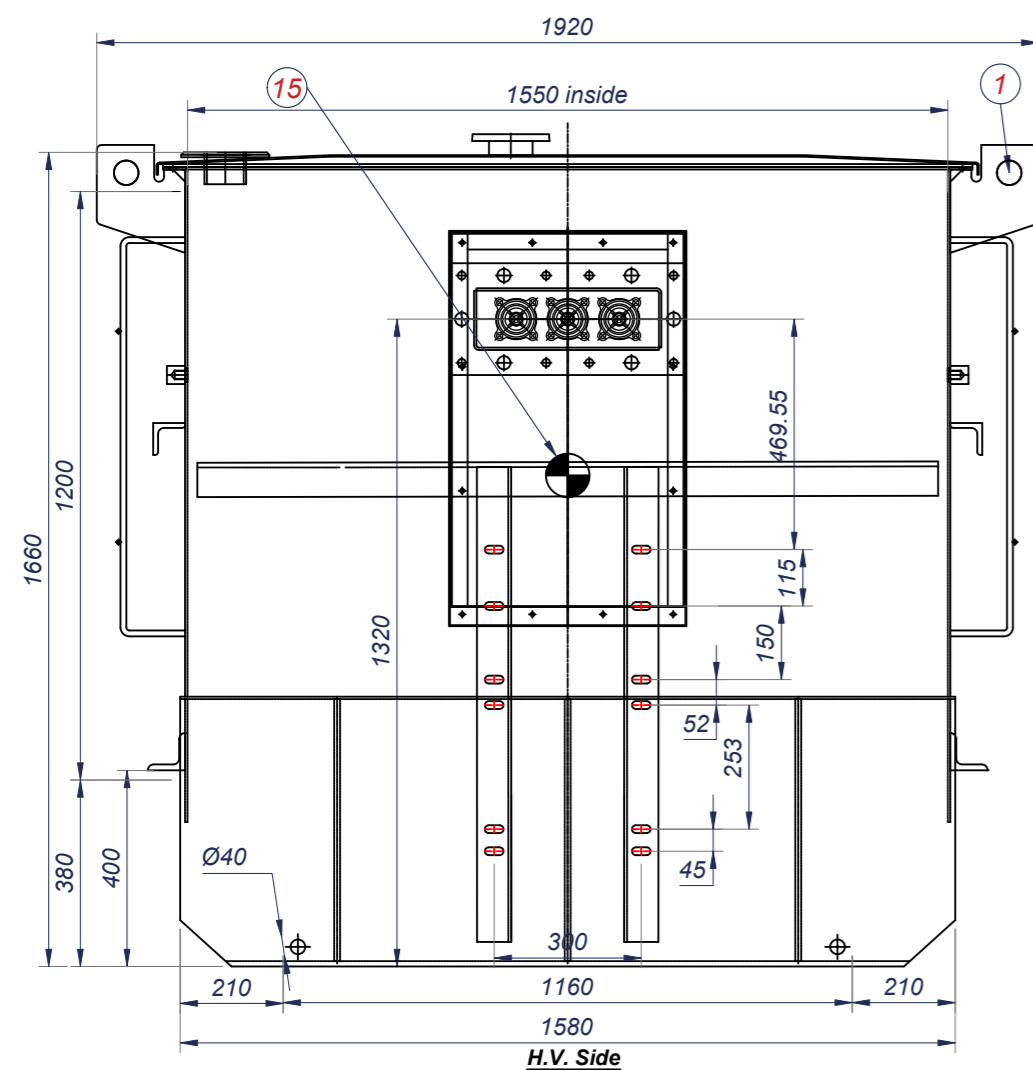
Job Number: -

Date: 06/05/22

FIRST ANGLE

Scale: 1/15 Size: A2 Sheet: 1/1

Rev No: Revision Note: Date: Dm: App:



16	SILICA GEL BREATHER (non-Cobalt Chlorine) LOOSE SUPPLIED
15	LABEL OF CENTER OF GRAVITY
14	HEADER TYPE RADIATOR 700 CENTER , 6 PANELS
13	RATING AND DIAGRAM PLATE
12	AIR VENT PIPE
11	L.V. TERMINATIONS
10	H.V. TERMINATIONS
9	EXTERNALLY OPERATED OFF-CIRCUIT TAPPING SWITCH (ENCLOSED IN A PROTECTIVE MS COVER)
8	THERMOMETER POCKET 3/4"
7	LIQUID LEVEL INDICATOR
6	1" BSP DRAIN VALVE & INTEGRAL SAMPLING DEVICE WITH PLUG
5	FILLING HOLE & COVER
4	BASE SKIDS DRILLED FOR ROLLER AXLES
3	EARTHING TERMINAL (MAT-Stainless Steel) 6mm thk.
2	JACKING LUG
1	LIFTING LUG (Painted Yellow)
No.	TRANSFORMER FITTINGS

BOWERS JOB No.	-
RATING	500 kVA
VOLTAGE RATIO	11000 / 415
AMPERES	26.25 / 695.60
PHASES	3
FREQUENCY	50Hz
VECTOR GROUP	Dyn11

ESTIMATED WEIGHTS	KG
CORE AND WINDINGS	1515
COOLING LIQUID 900 LTRS	765
TOTAL WEIGHT	3145

NOTES :-
1- ALL DIMENSIONS, WEIGHT & VOLUME ARE SUB.TO ± 5% TOL.
2- THIS DRAWING SHOWS ONLY GENERAL DISPOSITION OF FITTINGS.
3- FOR THE SAKE OF CLARITY CERTAIN FITTINGS SHOWN IN ONE OR MORE VIEWS HAVE BEEN OMITTED FROM OTHER VIEWS.
4- HOWEVER LIMITATIONS AS PER SPEC. WILL BE MAINTAINED.
5- H.V. TERMINATIONS (GLAND PLATE MATERIAL=MS)
3 POLE CABLE BOX COMPLETE WITH UNDRILLED GLAND PLATE, SUITABLE FOR FULLY INSULATED DRY TERMINATIONS AND CAPABLE OF ACCEPTING 1+3 CORE 185 mm Sq. OR 3+1 CORE 300 mm Sq. CABLES ENTERING FROM BELOW. INSULATING MATERIALS, CABLE GLANDES AND CABLE LUGS ARE NOT INCLUDED.
6- L.V. TERMINATIONS (GLAND PLATE MATERIAL=AL)
4 POLE AIR INSULATED CABLE BOX COMPLETE WITH UNDRILLED GLAND PLATE AND CAPABLE OF ACCEPTING 4+1 CORE CABLES UP TO 830 mm ENTERING FROM BELOW. CABLE TERMINATION KITS, GLANDS AND CABLE LUGS ARE NOT INCLUDED.
7- Paint Finish To ISO12944-2 Category C4 With a Dark Grey Semi Gloss Finish.

Revision: 0

This drawing is COPYRIGHT and the property of Bowers Electricals Ltd. It must not be copied (in whole or in part) without prior written consent of the company. ©

TOLERANCE UNLESS OTHERWISE STATED
± 5mm FOR DIMENSIONS UP TO 250mm
± 10mm FOR DIMENSIONS UP TO 1000mm
± 20mm FOR DIMENSIONS OVER 1000mm

